

940CB Wireless Keyless Entry works with the following Garage Door Openers models.

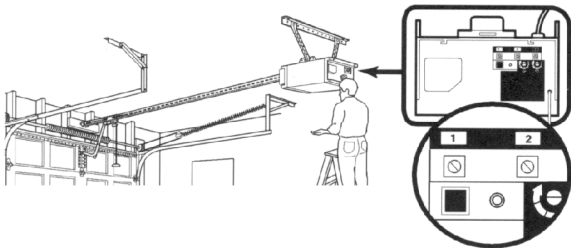
The following models have a Red or Orange learn button:

1200	6200-2DB	8200-2	4620	7902K	PD200	PD420	PD212	WD822K
2200	6200-2K	8200-2K	4640	9902	PD200-2	PD420-2	PD610	WD912K
4200	7220	9200	4640-2	9950	PD600	PD460	PD612	WD922K
6200	7420	9200-2K	4640-2K	9960	PD600-2	CG40	PD612K	PD460-2
6200-2	8200	9500-3K	7902	PD100	PD600-2K	PD210	PD752	CSO

Programming 940CB Wireless Keyless Entry

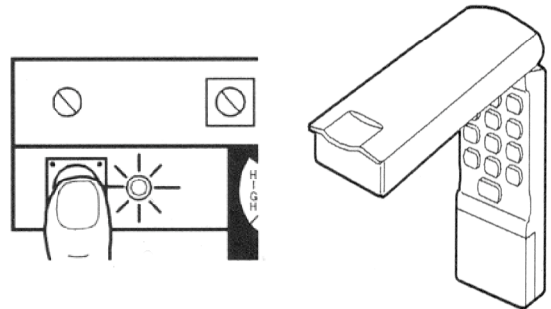
1

Locate the LEARN BUTTON on the back or side panel of the motor unit. You may need to remove a light cover or control center cover to gain access. This button will be red or orange in color and will have an LED indicator light next to it.



2

Press and release the LEARN BUTTON. This turns the receiver on for thirty seconds. Within this 30 second period, you must enter your new 4-digit PIN into the keypad and hold the ENTER button for five seconds.



3

When the light on the keypad stops flashing, test your new code by entering the 4-digit PIN and ENTER.

