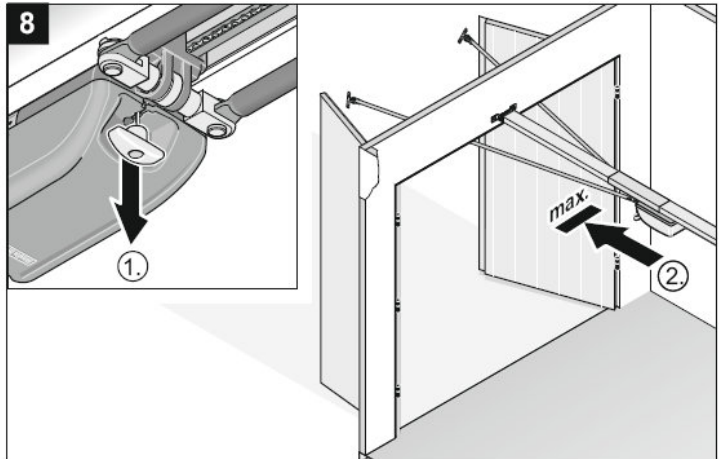
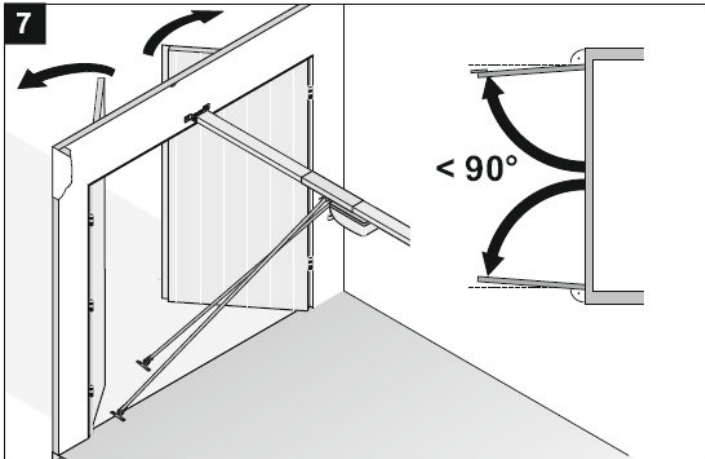
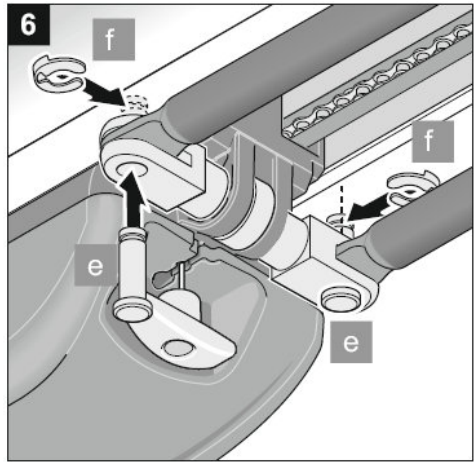
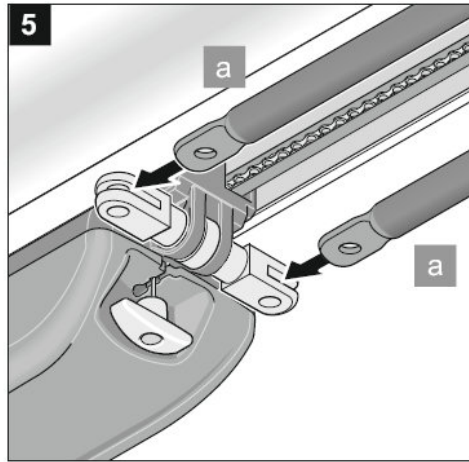
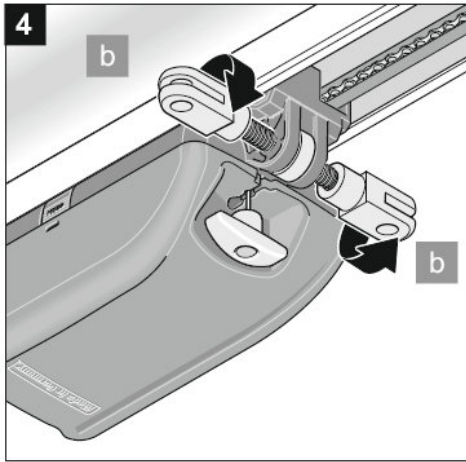
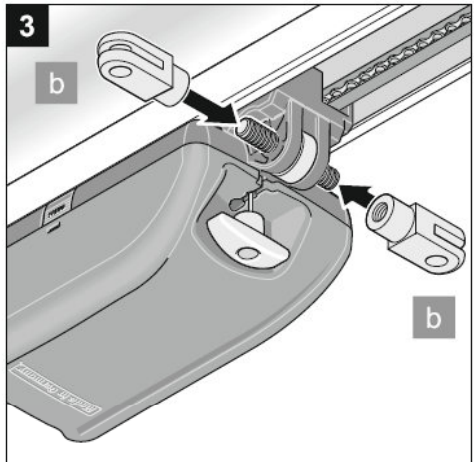
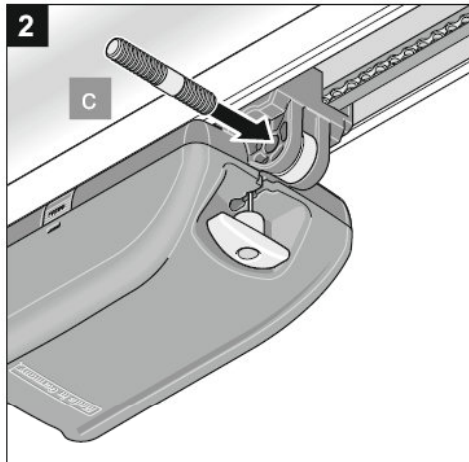
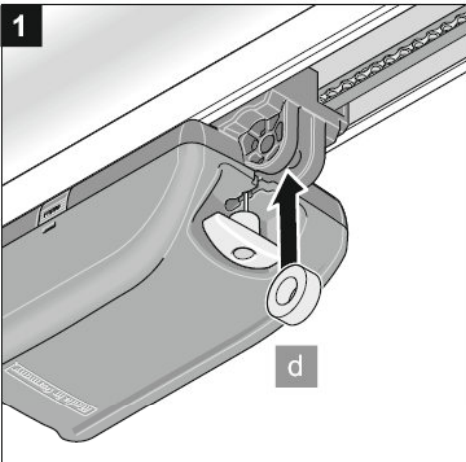
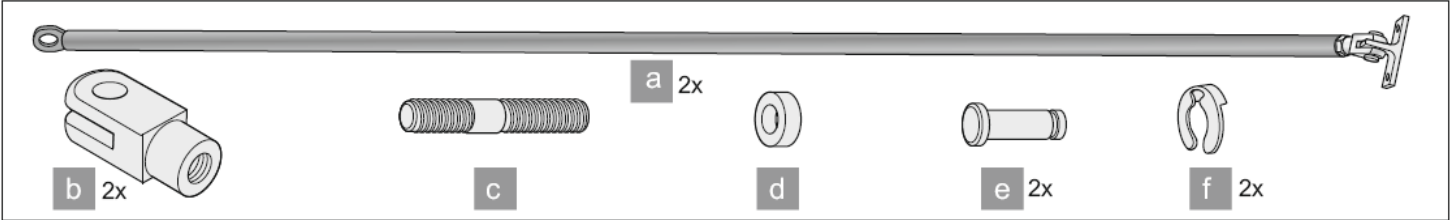
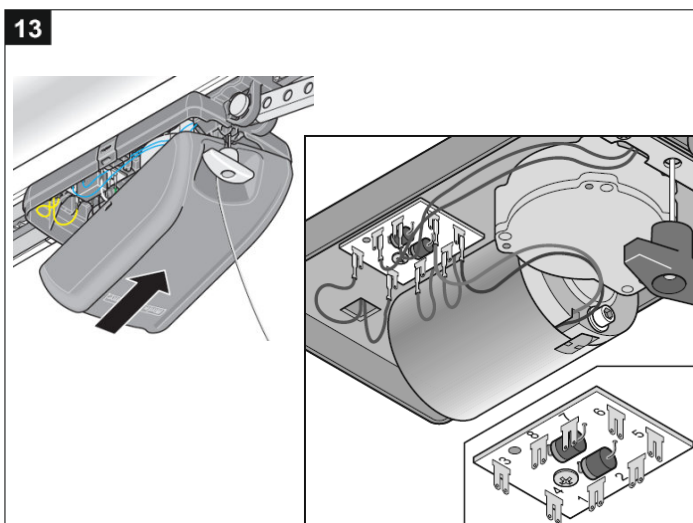
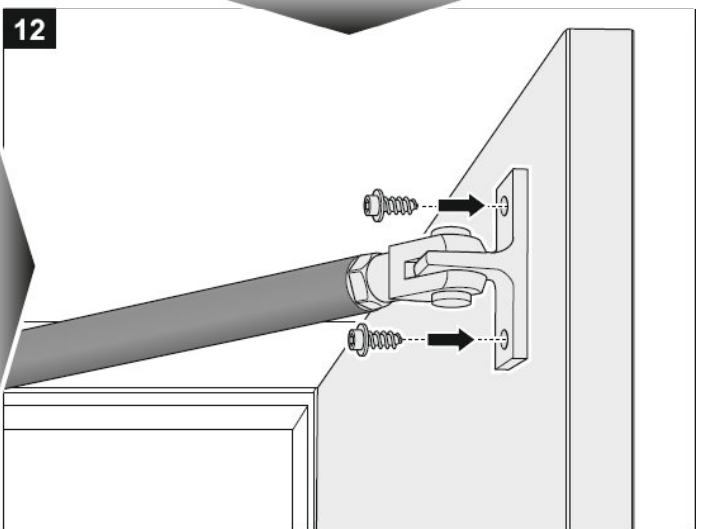
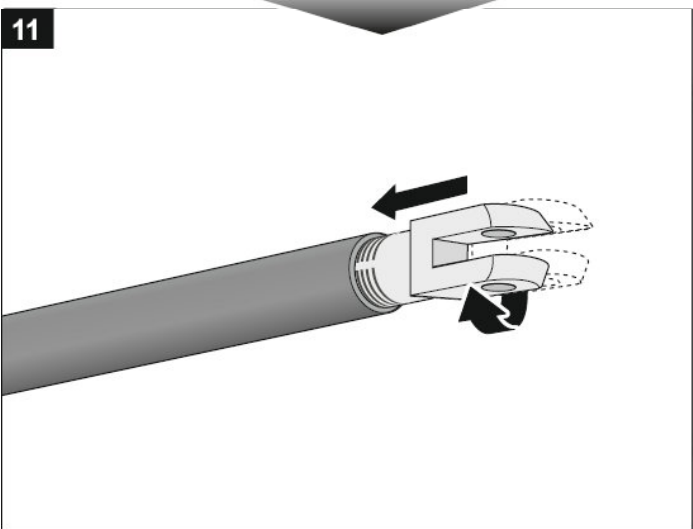
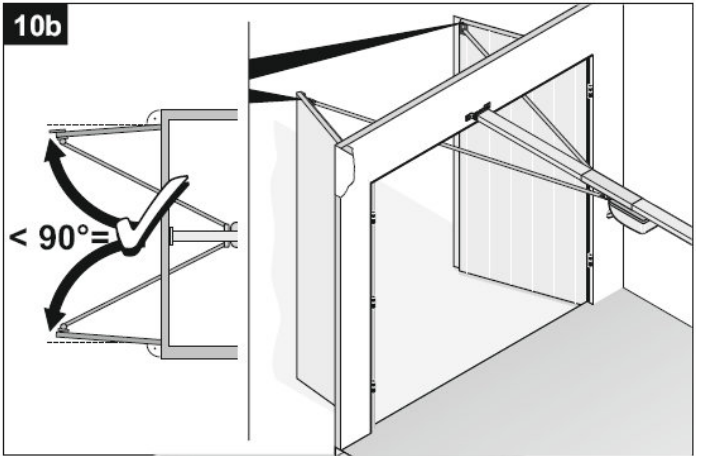
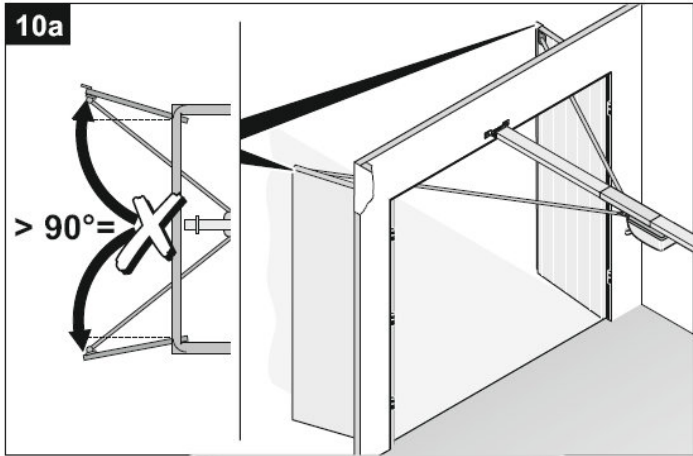
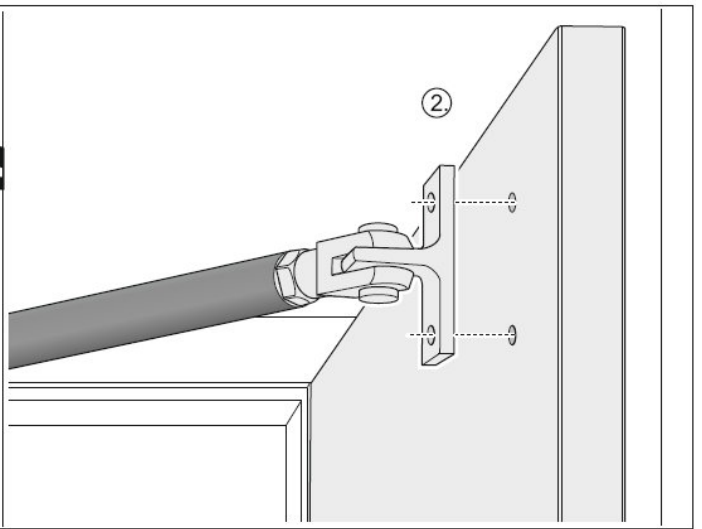
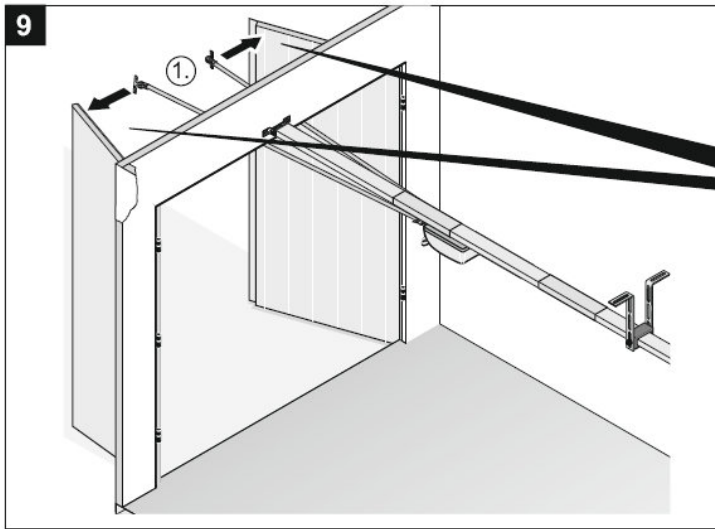


# SOMMER

## Manual Swing Door Fitting no. 1501





### Important modification

To allow the opener to work properly on a swing door, you have to modify the synoris

- Remove carriage (motor) cover
- Switch the blue (1) and brown (2) cable